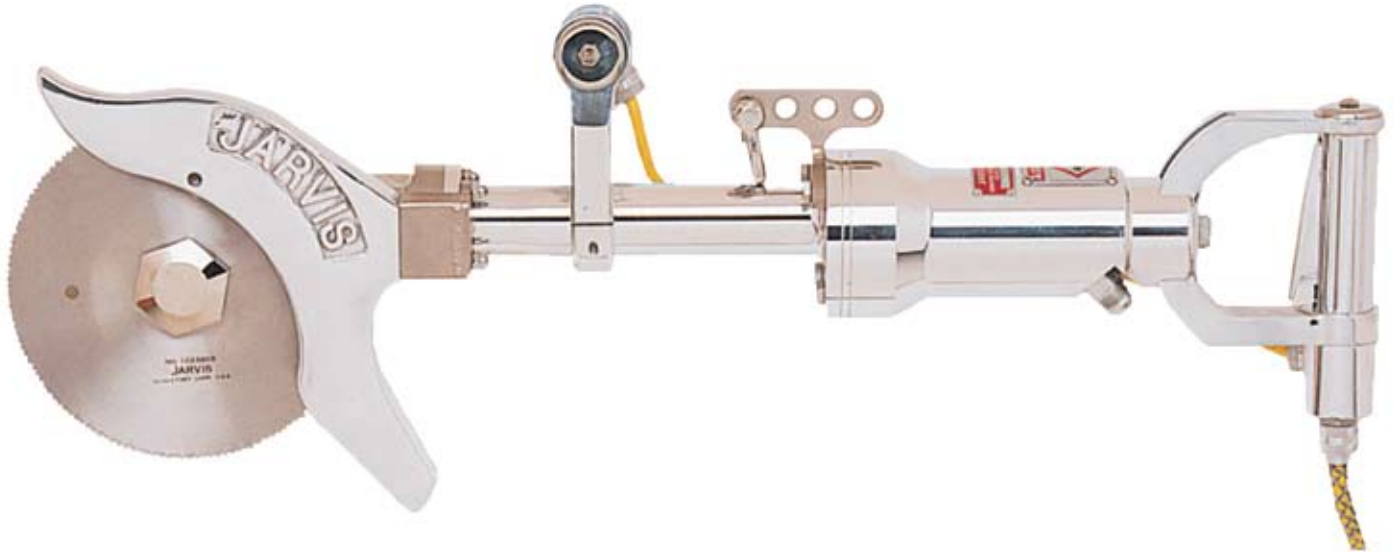


# HOG BRISKET SAW

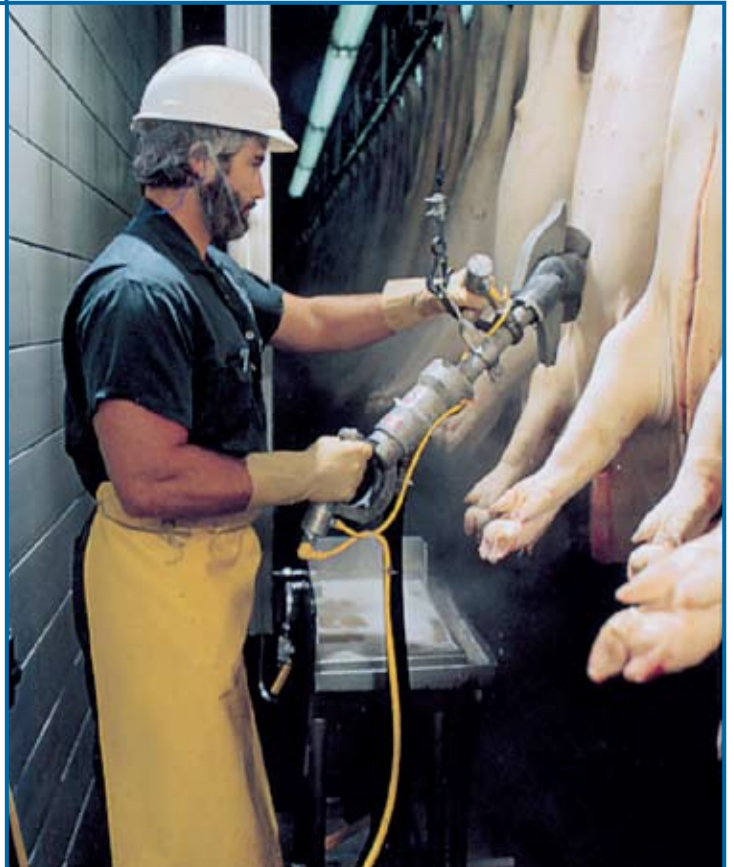
## Model HBS-3



**The Jarvis Model HBS-3 -  
hydraulically powered brisket saw  
for hogs and sows.**

**JARVIS**

- Cuts through all hog and sow briskets quickly and accurately.
- Fast - a single operator can handle up to 1000 hogs / hour.
- Short overall length, lightweight and adjustable handles for optimum handling and maneuverability.
- Rugged design, including a heavy-duty stainless steel cutting head for long, trouble-free operation.
- Anti-tie down controls and fast blade stop for operator safety.
- Meets national and international requirements for safety and hygiene.



**HBS-3: THE ULTIMATE HOG BRISKET SAW**

# HOG BRISKET SAW

## Model HBS-3

### Specifications

Drive Hydraulic

#### Model HBS-3

Capacity 1000 / hour

Blade Speed at 5.5 gal / min or 20.8 L / min 1925 rpm

Control Handles Electric / Dual Anti-tie Down 12 V

#### Blade Diameters

Hog 8.0 in 203 mm

Sow 9.0 in 229 mm

#### Cutting Depths

Hog 3.0 in 76 mm

Sow 4.0 in 102 mm

Overall Length (with 8.0 in / 203 mm diameter blade) 32 in 813 mm

Weight 30 lbs 13.4 kg

#### Hydraulic Power Unit

Motor Power 7.5 hp 5593 W

Operating Voltage 460 / 230 V, 3 phase, 60 Hz  
other voltages and 50 Hz available

Hydraulic Pressure 2000 psi

Oil Flow Rate 5.5 gal / min 20.8 L / min

Hose Length 16 ft 5 m

Oil Capacity 30 gal 114 L

Overall Dimensions (l x w x h) 37.6 x 31.8 x 33.7 in 955 x 808 x 856 mm

Weight (without oil) 410 lbs 186 kg

### Equipment Selection and Accessories

### Order Number

#### Model HBS-3

Hog with 8.0 in / 203 mm diameter blade 4007016

Sow with 9.0 in / 229 mm diameter blade 4007017

#### Hydraulic Power Unit

with hydraulic hoses and control cable

380 / 220 V, 3 phase, 60 Hz 4027098

380 / 220 V, 3 phase, 50 hz 4027134

460 / 230 V, 3 phase, 60 Hz 4027064

575 V, 3 phase, 60 Hz 4027094

Balancer 4042046

#### Blade

Hog 8.0 in / 203 mm diameter blade 1023203

Sow 9.0 in / 229 mm diameter blade 1023010



Products for the meat and poultry industry

Jarvis Products Corporation · 33 Anderson Road · Middletown, CT 06457-4926 · United States of America  
Telephone (860) 347-7271 · Fax (860) 347-9905 · sales@jarvisproducts.com · www.jarvisproducts.com